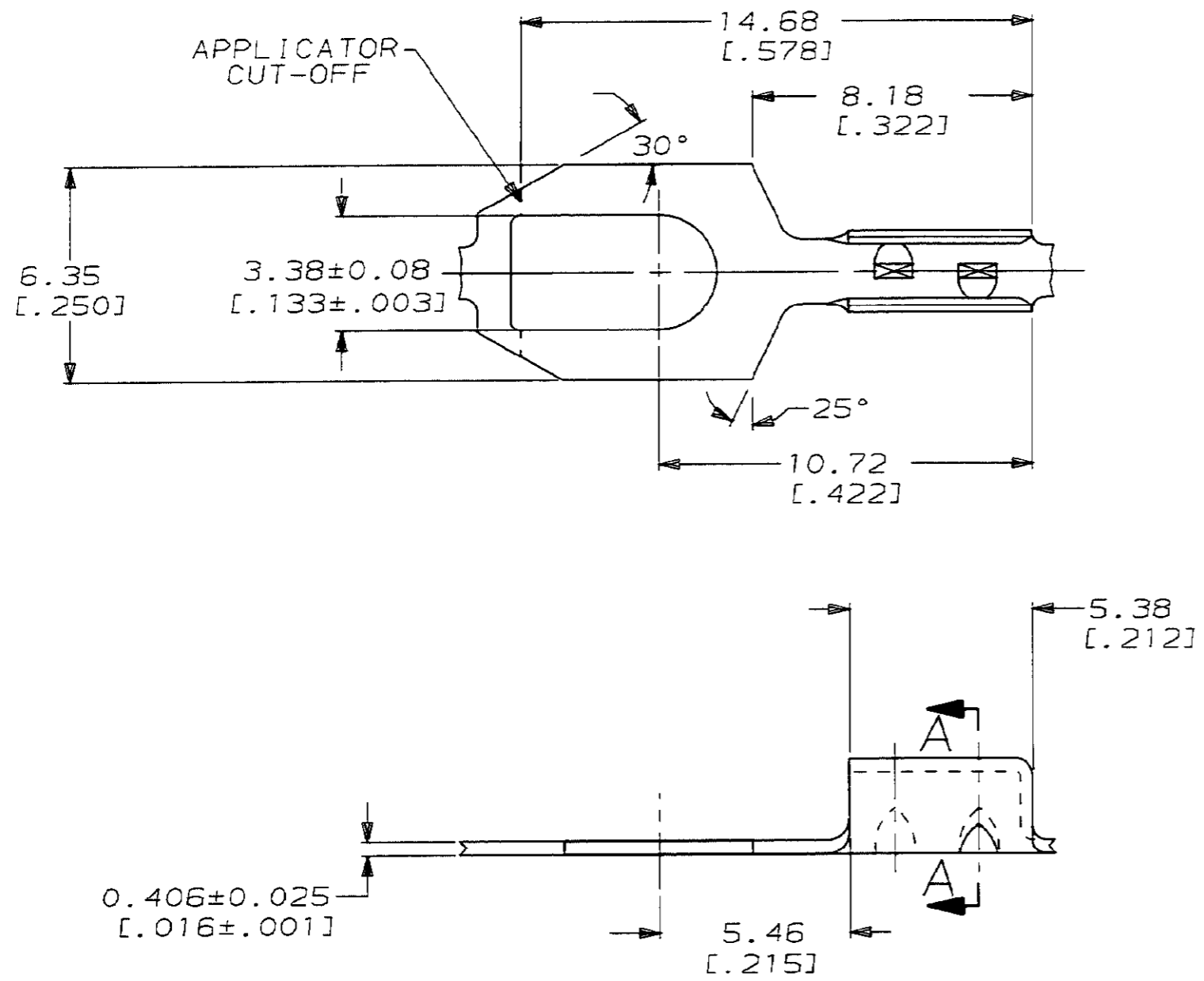
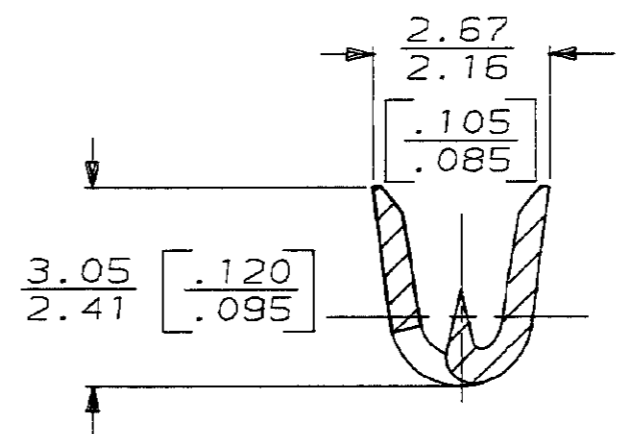


THIS DRAWING IS UNPUBLISHED. RELEASED FOR PUBLICATION, 19
 © COPYRIGHT 19 BY AMP INCORPORATED. ALL INTERNATIONAL RIGHTS RESERVED.

LOC	DIST	REVISIONS				DATE	APPD
AF	50	P	F	ZONE	LTR	DESCRIPTION	
				N		REDRAWN PER AF-7442	5/13/91 PF/JR



1 CONTINUOUS STRIP ON REEL.



SECTION A-A
SCALE 10:1

METRIC

DO NOT SCALE PRINT. UNLESS SPECIFIED DIMENSIONS IN mm [INCHES] TOLERANCES ON: 2 PLC DEC = 0.38 [.015] 3 PLC DEC = - ANGLES = -	DR 5/13/91 P FORTNEY CHK 5/13/91 JR RUTH APPD 5/13/91 G YETTER APPD 5/13/91 R WEAUVILL	INSULATION RANGE 1.14-1.27 DIA [.045-.050]	WIRE RANGE 0.13 - 0.3mm ² [26-22] AWG	PART NO 60234-2
MATERIAL #1 HARD BRASS	PRODUCT SPEC -	NAME AMP AMP Incorporated Harrisburg, PA 17105-3608		
FINISH 0.002032 [.000080] MIN TIN PL PER MIL-T-10727	APPLICATION SPEC -	SIZE B	CAGE CODE 00779	DRAWING NO 60234
	WEIGHT -	SCALE 6:1	SHEET 1 OF 1	